

(12) INTERNATIONAL APPLICATION PUBLISHED UNDER THE PATENT COOPERATION TREATY (PCT)

(19) World Intellectual Property Organization  
International Bureau



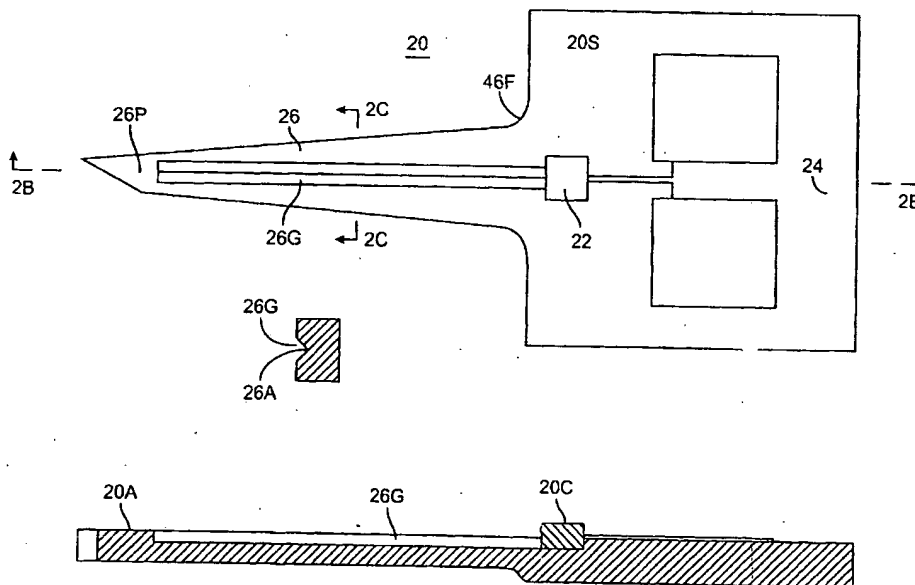
(43) International Publication Date  
3 October 2002 (03.10.2002)

PCT

(10) International Publication Number  
WO 02/077638 A2

- (51) International Patent Classification<sup>7</sup>: G01N 33/00
- (21) International Application Number: PCT/US02/09163
- (22) International Filing Date: 26 March 2002 (26.03.2002)
- (25) Filing Language: English
- (26) Publication Language: English
- (30) Priority Data:  
09/816,472 26 March 2001 (26.03.2001) US
- (71) Applicant: KUMETRIX, INC. [US/US]; 29524 Union City Blvd., Union City, CA 94587 (US).
- (72) Inventors: SMART, Wilson, H.; 245 Washington Avenue, Palo Alto, CA 94301 (US). SUBRAMANIAN, Kumar; 6833 Corte Munras, Pleasanton, CA 94566 (US). ORLOFF, Eugene; 1627 9th Street, Berkeley, CA 94710 (US).
- (74) Agents: SMITH, Gregory, S. et al.; Gregory Smith & Associates, Suite 317, 3900 Newpark Mall Road, Newark, CA 94560 (US).
- (81) Designated States (*national*): AE, AG, AL, AM, AT, AU, AZ, BA, BB, BG, BR, BY, BZ, CA, CH, CN, CO, CR, CU, CZ, DE, DK, DM, DZ, EC, EE, ES, FI, GB, GD, GE, GH, GM, HR, HU, ID, IL, IN, IS, JP, KE, KG, KP, KR, KZ, LC, LK, LR, LS, LT, LU, LV, MA, MD, MG, MK, MN, MW, MX, MZ, NO, NZ, OM, PH, PL, PT, RO, RU, SD, SE, SG, SI, SK, SL, TJ, TM, TN, TR, TT, TZ, UA, UG, UZ, VN, YU, ZA, ZM, ZW.
- (84) Designated States (*regional*): ARIPO patent (GH, GM, KE, LS, MW, MZ, SD, SL, SZ, TZ, UG, ZM, ZW), Eurasian patent (AM, AZ, BY, KG, KZ, MD, RU, TJ, TM), European patent (AT, BE, CH, CY, DE, DK, ES, FI, FR, GB, GR, IE, IT, LU, MC, NL, PT, SE, TR), OAPI patent (BF, BJ, CF, CG, CI, CM, GA, GN, GQ, GW, ML, MR, NE, SN, TD, TG).
- Published:  
— without international search report and to be republished upon receipt of that report
- For two-letter codes and other abbreviations, refer to the "Guidance Notes on Codes and Abbreviations" appearing at the beginning of each regular issue of the PCT Gazette.

(54) Title: SILICON MICROPROBE WITH INTEGRATED BIOSENSOR



WO 02/077638 A2

(57) Abstract: Microprobe device 10 provides an analyte signal from biosensor (12) to an external analyte meter indicating presence in an analyte-containing bodily fluid of a subject (not shown).

## SILICON MICROPROBE WITH INTEGRATED BIOSENSOR

## TECHNICAL FIELD

This invention relates to silicon microprobes, and more particularly to microprobes with biosensor capability incorporated therein for measuring analyte concentrations in a subject's blood, tissue, or other bodily fluids.

## BACKGROUND

Diabetes mellitus is an insidious disease which affects more than 15 million Americans. About 1.5 million of these are Type I diabetics (insulin-dependent) and 12 to 14 million are Type II diabetics (noninsulin-dependent). The characteristics of diabetes include chronic and persistently high levels of glucose in blood and in urine. Although urine glucose has been used to monitor glucose levels, the measurement of blood glucose is more reliable and logistically feasible. Blood glucose has therefore become the most commonly followed clinical marker for monitoring the progress of diabetes (and other diseases) to determine treatment and control protocols. Glucose levels are routinely measured in doctors' offices, clinical laboratories, and hospitals. However, the most convenient and important measuring is in-home self-monitoring of blood glucose levels by the patients themselves to permit adjustment of the quantities of insulin and hypoglycemics administered. Such self-monitoring is known as self-monitored blood glucose. Normal blood glucose levels in humans are in the 70-100 mg/dl range and in the 160-200 mg/dl range after a heavy meal.

There are many products for diabetes related testing of glucose for diagnostic and monitoring purposes. These products range from skin swabs, reagent test strips, portable electronic meters, sensors and other instruments, lancets and needles of various shapes and sizes, syringes and other paraphernalia. Most of the currently available technologies, especially for self-monitored blood glucose measurements, are not satisfactory because they require some kind of deep lancing or finger stick with associated pain and sometimes excessive bleeding.

The smallest lancet or needle currently marketed for blood sampling has a diameter between 300 micrometers and 500 micrometers, and is constructed of

stainless steel with beveled edges. Due to the large cross section of these lancets, fingertip lancing is painful and frequent lancing causes calluses, impairment of the use of hands, psychological trauma and other unpleasant consequences. Further, blood samples recovered from the patient must be transferred to a test strip or cartridge for assaying analyte concentrations. Obtaining blood samples by lancing and performing the analysis can be messy as well as painful for the patient.

#### SUMMARY

It is therefore an object of this invention to provide a miniature microprobe device with integrated analyte sensing capability. The analyte concentration is determined by a biosensor built into the microprobe, which is in data communication with an external meter via an analyte signal. A blood sample is not transferred from the subject to an external test mechanism as in the prior art. The present self-contained process minimizes messy blood smears, which is convenient for the subjects. Further, the closed nature of the present process also minimizes ambient exposure of the subject's blood. Blood may harbor undesirable biological forms (such as HIV) which could contaminate the local environment constituting a biohazard. By eliminating the blood transfer step, the present microprobe avoids such hazard.

It is another object of this invention to provide such a miniature microprobe device which accesses the blood and determines the analyte concentration in one simple step. The subject simply places the microprobe in a holder against the skin and waits for a signal to be sent to an external meter. The microprobe penetrates the stratum corneum (the tough outer layer of the skin) and contacts the tissue within. A separate ex vivo testing step with testing strips and the like is not required. The present one-step process eliminates the following prior art steps:

A) Preparation step in which the subject gathers required materials including a test strip or cartridge to receive the blood sample and absorbent material for controlling blood smear and leakage.

B) Transfer step in which the subject transfers the blood sample to the test strip.

C) Waste blood step in which the subject cleans up any waste blood, and disposes of the blood

D) Reset step in which the subject puts away the above material in readiness for the next blood sampling.

It is a further object of this invention to provide such a miniature microprobe device which is fabricated from a silicon wafer. A biosensor may be integrated into the surface of the microprobe. Alternately, the biosensor may be placed in a cavity in the surface of the silicon.

Silicon is compatible with integrated circuit (IC) fabrication and MEMS (microelectromechanical systems) technologies employing well established masking, deposition, etching, and high resolution photolithographic techniques. The present microprobe devices may be fabricated in mass quantities from silicon wafers through automatic IC and MEMS processing steps at minimal cost per device.

It is a further object of this invention to provide such a miniature microprobe device which minimizes subject discomfort during probe penetration and analyte measurement. The dimensions of the probe (length, width, and thickness) are very small and cause minimal tissue displacement and related lateral tissue pressure and nerve ending contact. In some cases the displacement may be so minimal that the subject feels no sensation at all during the process. For example in a clinical trial of 62 patients using a microprobe with a thickness of 100 micrometers, the majority found the insertion and retraction of the microprobe device in the arm to be painless. Of the total patients tested, 15% could not even feel the probe penetration and an additional 58% found the penetration to be barely noticeable.

It is a further object of this invention to provide such a miniature microprobe device which minimizes mechanical probe failure (breakage) during penetration and removal. Only minimal penetration effort is required due to the small probe cross section defined by the width and thickness dimensions. These dimensions are much smaller than those of conventional metal lancets. The microprobe device retains the single-crystal structure of the silicon starting wafer and can reliably penetrate skin without breakage because of the strength provided by this single-crystal structure. The strength of the

miniature probe may be further increased by optimal shaping. Data from skin puncturing tests show that the average force required to puncture the skin (0.038 Newton) is minimal compared to the buckling force required to break the probe (0.134 Newton).

It is a further object of this invention to provide such a miniature microprobe device which functions in vivo. The biosensor may be located near the probe tip for maximum penetration. The biosensors may be placed in a cavity in the surface of the silicon. The probe accesses the blood, and the analyte signal is carried along the length of the probe to the ex vivo environment by conductive leads.

It is a further object of this invention to provide such a miniature microprobe device which functions ex vivo. The biosensor may be distant from the probe on an ex vivo portion of the device, and not in direct contact with the analyte tissue. The blood is transported from the in vivo probe tip to the ex vivo portion by one or more channels.

It is a further object of this invention to provide such a miniature microprobe device which may be emplaced into the skin of the subject for a single measurement of analytes.

It is a further object of this invention to provide such a miniature microprobe device which may be installed on the subject for continuous monitoring of analytes.

It is a further object of this invention to provide such a miniature microprobe device which has multiple biosensors. The biosensor(s) may be formed by IC fabrication and are significantly smaller than the microprobe. Several biosensors may be spaced along a single microprobe for sensing several analytes per penetration, or for sensing the same analyte at different depths.

Briefly, these and other objects of the present invention are accomplished by providing a biosensor microprobe device for providing a signal to an external analyte meter. The signal indicates analyte presence in an analyte-containing fluid of a subject. The device is fabricated from a silicon wafer and has a body portion and a microprobe portion. The microprobe has a body end connected to the body portion, and having a penetration end extending

away from the body portion for penetrating into the subject to access the bodily fluid. A biosensor integrated into the silicon substrate senses analyte presence and provides a signal in response to the analyte presence.

#### BRIEF DESCRIPTION OF THE DRAWINGS

Further objects and advantages of the present microprobe and the operation of the biosensor become apparent from the following detailed description and drawings (not drawn to scale) in which:

FIG. 1A is a plan view of in vivo microprobe device 10 showing biosensor 12 on probe 16;

FIG. 1B is a side view of device 10 of FIG. 1A;

FIG. 2A is a plan view of ex vivo device 20 showing biosensor 22 on body 24;

FIG. 2B is a sectional side view of device 20 of FIG. 2A along line 2B-2B showing biosensor 22 mounted in cavity 20C on silicon substrate 20S;

FIG. 2C is a sectional view across probe 20 of FIG. 2A along line 2C-2C showing V-groove 26G in silicon substrate 20S;

FIG. 3A is a plan view of device 30 showing multiple biosensors 32D and 32M and 32S on probe 36;

FIG. 3B is a side view of device 30 of FIG. 3A;

FIG. 4A is a plan view of device 40 showing optical biosensor 42 and waveguide 42W on probe 46;

FIG. 4B is a sectional side view of device 40 of FIG. 4A along line 4B-4B showing the optical biosensor mounted in hole 40H through silicon substrate 40S;

FIG. 5A is a plan view of microprobe assembly 50A showing cover member 58C and base member 58B;

FIG. 5B is a sectional side view of assembly 50A of FIG. 5A along line 5B-5B showing transmitter 54T and battery 54B; and

FIG. 6 is a chart comparing the average pain perception values for the silicon microprobe device with those for a conventional metal lancet.

The first digit of each reference numeral in the above figures indicates the figure in which an element or feature is most prominently shown. The second digit indicates related elements or features, and a final letter (when used) indicates a sub-portion of an element or feature.

## REFERENCE NUMERALS IN DRAWINGS

The table below lists the reference numerals employed in the figures, and identifies the element designated by each numeral.

10	Microprobe Device 10
	10A Front Side 10A
	10F Silicon Oxide Film 10F
	10B Back Side 10B
	10S Silicon Substrate 10S
12	Biosensor 12
	12L Conductive Leads 12L
14	Body 14
	14P Electrical Interface Contact Pads 14P
16	Probe 16
	16B Body End 16B
	16P Penetration End 16P
20	Microprobe Device 20
	20A Front Side 20A
	20C Cavity 20C
	20S Silicon Substrate 20S
22	Biosensor 22
24	Body 24
26	Probe 26
	26A Apex 26A
	26G Groove 26G
	26P Point 26P
30	Device 30
	30A Front Side 30A
	30C Common Return Path 30C
	30F Silicon oxide layer 30F
	30B Back Surface 30B
	30S Substrate 30S
	Multiple Biosensors 32D 32M 32S
	Multiple Leads 33D 33M 33S
34	Body 34
	Multiple interface Contacts 34D 34M 34S
36	Probe 36
40	Device 40
	40A Front side 40A
	40H Hole 40H
	40S Silicon Substrate 40S

- 42    Optical biosensor 42
  - 42C   Optical Coupler 42C
  - 42W   Waveguide 42W
- 44    Body 44
- 46    Probe 46
  - 46F   Rounded Microfillet 46F
- 50A   Microprobe Assembly 50A
- 50M   Microprobe Device 50M
- 52    Biosensor 52
- 54    Body 54
  - 54A   A/D Converter 54A
  - 54B   Battery 54B
  - 54T   Transmitter 54T
- 56    Microprobe 56
  - 58A   Adhesive Film 58A
  - 58B   Base Member 58B
  - 58C   Cover Member 58C
  - 58S   Stabilizing Surface 58S

## GENERAL IN VIVO EMBODIMENT (FIGS. 1A and 1B)

Microprobe device 10 provides an analyte signal from biosensor 12 to an external analyte meter (not shown) indicating analyte presence in an analyte-containing fluid of a subject (not shown). Silicon substrate 10S extends in the X length dimension, and the Y width dimension, and the Z thickness dimension, forming large body portion 14 and pointed microprobe portion 16 (as shown in FIG. 1A). The substrate has front side 10A into which the biosensor is integrated and back side 10B (as shown in FIG. 1B). The microprobe has a body end 16B connected to body 14, and a penetration end 16P extending away from the body in the X length dimension for penetrating into the subject to access the bodily fluid. A suitable signal interface structure such as electrical contact pads 14P may be deposited onto a side of silicon substrate 10S on body 14, for sliding contact connection with the analyte meter. A suitable signal carrier such as conductive leads 12L may be deposited onto a side of the silicon substrate between biosensor 12 and interface pads 14P for carrying the signal. The X length of the body may be from about 0.3 mm to about 2 mm, and the Y width of the body may be from about 0.3 mm to about 2 mm. Smaller body dimensions permit higher wafer density of microprobe devices



(acreage) during manufacture.

In the in vivo embodiment the biosensor is positioned on the microprobe sufficiently distant from the body end to pass into the subject during penetration. Positioning the biosensor ex vivo affords greater flexibility in reagent selection. As shown in FIG. 1A, in vivo biosensor 12 is positioned on microprobe 16 near penetration end 16P. The biosensor accesses the analyte fluid by penetrating into the subject and contacting the fluid. The analyte fluid may be any suitable body fluid such as blood, serum, or interstitial fluid or intracellular fluid. Preferably the in vivo biosensor is located sufficiently back from the penetration end of the microprobe so as not to affect the sharpness of the point or interfere with penetration of the probe. Access may be assisted by fluid seepage along the microspace between probe and tissue up the side of the probe from the tip to the biosensor.

Diabetes monitoring is the primary focus of this disclosure for illustrative purposes. However, the microprobe device has uses in the diagnostic procedures and treatment of other diseases, emergency room status monitoring, sports medicine, veterinary medicine, research and development, with human subjects or experimental animals.

#### Probe Shape

The microprobe may be width tapered along the X length dimension, converging from a larger Y width dimension (of about 200 micrometers) at the body end to a smaller Y width dimension (of about 30 micrometers) at the penetration end. The X length of the microprobe may be from about 0.5 mm to about 2.5 mm with a penetration depth of from about 0.5 mm to about 2 mm. The discomfort or sensation experienced by the subject normally decreases with decreasing probe cross section and length. However, a sensation floor exists where sensation is so minimal that probes smaller than this floor threshold do not offer any advantage. The taper permits easier penetration due to the gradually increasing cross section of the probe. In addition, the taper reduces the volume of the probe causing less tissue displacement and less discomfort to the subject. The volume of the probe may be further reduced by thinning the Z dimension (see FIG. 3B) from the initial thickness of the silicon wafer across body 34 to a slender thickness along probe 36. For example, the thickness of the silicon wafer may be from about 500 micrometers

(for a 4" wafer) to about 700 micrometers (for a 6" wafer). Back side 30B of substrate 30S may be etched away to about 50 micrometers to thin the Z thickness dimension of the probe.

The convergence of the microprobe taper may be uniform (as shown in FIG. 1A) establishing a constant change in the Y width dimension and a corresponding constant decrease in the cross section of probe 16. Alternatively, the convergence of the microprobe taper may be nonuniform (as shown in FIG. 2A) establishing a continuous change in the Y width dimension. This smooth change in width optimizes stress distribution within microprobe 26 during penetration and reduces material failure. That is, the probe is less likely to "snap off" in the skin of the subject during use. The function for such a continuous change may be generated by stress analysis computer programs. Rounded microfillet 46F (see FIGS. 1A, 2A, 3A, 4A and 5B) provides a smooth transition along the connection between body 44 and the body end of microprobe 46 which assists in eliminating stress points. The fillet transition prevents stress concentrations produced by cantilever bending of the probe. The Y width dimension of the microprobe may terminate in a suitably shaped point at the penetration end, such as symmetrically shaped point 16P (shown in FIG. 1A) or chisel shaped point 26P (shown in FIG. 2A).

#### GENERAL EX VIVO EMBODIMENT (FIGS. 2A, 2B and 2C)

In the ex vivo embodiment biosensor 22 is positioned on body 24 of device 20, and does not pass into the subject during penetration. Alternatively, the biosensor may be positioned on the microprobe sufficiently close to the body end so as not to penetrate. The analyte fluid may be guided along microprobe 26 to biosensor 22 through a suitable conduit such as open fluid channel or groove 26G formed along the probe. The channel extends between the penetration end of the probe and the biosensor, and conveys the fluid by capillary action. The absence of a prior art type internal bore along the length of the probe reduces the probe diameter and simplifies probe fabrication. The open fluid channel may be a V-groove etched in the silicon of microprobe 26. The minute dimensions along apex 26A of triangular groove 26G (shown in FIG. 2C cross section view) produce strong capillary forces that are more reliable than fluid seepage. The width and depth of V-grooves may be precisely controlled by V-groove etching IC technology. However other channel

cross sections may be produced by other techniques such as plasma etching.

#### ELECTROBIOSENSORS (FIGS. 1A and 1B)

In general the biosensor may be an electrotype biosensor (see FIG. 1A), in which the signal is electrical energy carried on electrically conductive leads 12L and interface pads 14P. More specifically, the biosensor may be an electrochemical biosensor responsive to the analyte presence by altering the electrical energy of the signal in proportion to the concentration of the analyte presence. The analyte signal may be voltage based or current based, and may be a modulation of a quiescent value. The biosensor may be an oscillating electrogravimetric biosensor responsive to the analyte presence by altering the oscillation frequency. The magnitude of the alteration in frequency indicates the concentration of the analyte presence, and may be a.c. coupled to an analyte meter (not shown) through a suitable coupling circuit such as a capacitance device. Gravimetric devices are typically quartz crystal based and alter frequency in response to mass accumulation due to reactant buildup during the analyte sensing. Alternatively, the biosensor may be a thermal biosensor which senses heat generated in an analyte reaction, or an optical biosensor 42 (see FIG. 4A) which senses reaction light. The light signal alterations are photon energy propagating along optrode signal carrier 42W which widens into optical coupler 42C for interfacing with a meter (not shown). The optrode may be any suitable photon containment device such as a waveguide or optical fiber transparent at the photon wavelength. The biosensor may be self-luminescent or merely return incident interrogation light.

The biosensor may be integrated into the surface of the substrate, or housed in a cavity formed in the substrate or in a hole extending through the substrate. The surface of side 10A of silicon substrate 10S is planar (see FIG. 1B), and biosensor 12 is deposited onto this flat surface. Cavity 20C (see in FIG. 2B) is etched into side 20A of silicon substrate 20S. Cavity 20C extends into the silicon substrate in the Z thickness dimension. The biosensor is deposited onto the silicon within the cavity. Hole 40H (see FIG. 4B) is etched into side 40A of silicon substrate 40S. Hole 40H extends through the silicon substrate in the Z thickness dimension.

The electrotype biosensor may have a suitable electrically insulative layer such as silicon oxide film 10F (see FIG. 1A) on side 10A between

conductive leads 12L and silicon substrate 10S. Silicon oxide is a better insulator than silicon, and may be employed to reduce shunt signal loss between the signal leads. Biosensor 12 is deposited on the insulative layer and is electrically isolated from the silicon substrate. The conductive leads and the conductive contacts of the electrotype biosensors may be a suitably conductive material also deposited on the insulative layer such as metal (sputtered Al Au Ti Ag W or Cr for example) or carbon or doped silicon. Doped silicon leads may have a customized electrical resistance (and other characteristics) to optimize electrical features such as impedance matching or current limiting. The silicon substrate may also be sufficiently doped to form the conductive material for one of the pair of conductive leads and one of the pair of conductive contacts (see FIG. 3A).

#### MULTIPLE BIOSENSOR EMBODIMENT (FIGS. 3A and 3B)

Multiple biosensors may be employed on a single probe. Each of these multiple biosensors may sense the presence of a different analyte. Further, each of the multiple biosensors may be positioned at a different location along the X dimension of microprobe 36 to sense analyte presence at a different penetration depth (deep, medium, and shallow). In other embodiments, multiple biosensors may sense the same analyte at different depths, or sense different analytes at the same depth. For example (see FIGS. 3A and 3B), three biosensors 32D (deep), 32M (medium), and 32S (shallow) may be deposited onto side 30A of silicon substrate 30S. These multiple biosensors require multiple conductive leads 33D, 33M, and 33S and multiple interface contacts 34D, 34M, and 34S. Silicon substrate 30S is conductive and forms common return and 33S and interface contacts 34D, 34M, and 34S. The return conductive path completes the electric circuit from the biosensors 32D, 32M, and 32S to an external meter and back to the biosensors. Silicon oxide layer 30F insulates the conductive return path from the source paths and source pads.

Further, the multiple biosensors may be located on either or both sides of the microprobe. Biosensor 32S is located on back side 30B on insulating layer 31F, with conductive lead 33S extending through layer 31F and substrate 30S and layer 30F to front side 30A.

## TRANSMITTER EMBODIMENT (FIGS. 5A and 5B)

Microprobe device 50M may be sealed within a housing or cover 58C with signal transmitter 54T forming monitoring assembly 50A as shown in FIGS. 5A and 5B. The assembly is emplaced at a suitable site on the subject (not shown) for continuous monitoring of the analyte. Analyte data may be transmitted during an extended monitoring period of a few hours or several days or even weeks. Alternatively, the monitoring may be for a short period or even for a single transmission. The assembly transmits analyte concentration data to a remote meter (not shown). Preferably the emplacement site is not subject to disturbance by daily activity of the subject. The inside of the subject's arm is a convenient protected site. Microprobe portion 56 penetrates into the subject to access the analyte-containing fluid. Biosensor 52 on the microprobe senses analyte presence and provides a sensed signal in response to the analyte presence.

Base 58B extends in the Y dimension and Z dimension generally normal to the X dimension of microprobe portion 56, and forms the bottom of the assembly. Cover 58C is installed over body portion 54 of the substrate and engages base 58B for sealing the assembly. Stabilizing surface 58S forms an in vivo face of base member 58B and disposed toward the subject when emplaced. The stabilizing surface engages the subject to maintain the penetration orientation of the microprobe portion into the subject. The stabilizing surface may have adhesive film 58A thereon for retaining the assembly at the emplacement site for the duration of the monitoring period. The adhesive holds the assembly onto the skin preventing displacement along the X dimension. The adhesive prevents the probe from working loose during the monitoring period as the subject moves around. In addition, the adhesive prevents lateral displacement of the assembly along the Y and Z dimensions. This lateral retention minimizes shear forces along the length of probe 56 preventing the probe from snapping off during subject activity. As the assembly is emplaced, the stabilizing surface engages the subject's skin and limits the penetration of the microprobe portion.

Signal transmitter 54T provides a transmitted analyte signal to a meter (not shown). Analog to digital converter 54A converts the sensed signal from the biosensor into a digital transmitted signal. A suitable power source such

as battery 54B may be provided to activate the signal transmitter and the converter. The transmitter, converter and battery may be deposited into the silicon of body portion 54.

#### PAIN PERCEPTION TESTING

Fig. 6 shows the averaged response from 62 patients in a clinical trial to determine the relative pain perceived from punctures with a silicon microprobe in the arm compared with punctures in the arm and finger with conventional metal lancets. As can be seen from the FIG. 6, the punctures from the silicon microprobe were found to be noticeably less painful than those from the lancet, with the more painful of the two lancet tests being the finger stick, as expected. The test subjects repeatedly commented that the microprobe puncture was virtually painless and far more comfortable than the finger stick with the lancet.

#### INDUSTRIAL APPLICABILITY

It will be apparent to those skilled in the art that the objects of this invention have been achieved as described hereinbefore by providing a microprobe device with integrated analyte sensing capability, which accesses the blood and determines the analyte concentration in one simple step. The device is fabricated from a silicon wafer for compatibility with IC fabrication and MEMS technologies. Because the strength of the single-crystal structure of the starting silicon wafer is retained in the finished device, the microprobe can penetrate skin reliably without breaking. The small length, width, and thickness dimensions of the probe introduce minimal tissue displacement, rendering probe insertion and retraction essentially painless. Minimal penetration effort is required which also minimizes mechanical probe failure. The device may function in vivo or ex vivo with one or multiple biosensors, and has both single measurement and continuous monitoring applications.

#### CONCLUSION

Various changes may be made in the structure and embodiments shown herein without departing from the concept of the invention. For example, the various types of biosensors may be employed in either the ex vivo embodiment

(FIG. 2A) or the in vivo embodiment (FIG. 1A). The stress reducing microfillet shown in the optical biosensor embodiment (FIG. 4A) may be employed in other types of biosensors. The cavity housing (FIG. 2B) and hole housing (FIG. 4B) of the biosensor may be employed in other embodiments. Further, features of embodiments shown in various figures may be employed in combination with embodiments shown in other figures. Therefore, the scope of the invention is to be determined by the terminology of the following claims and the legal equivalents thereof.

## WE CLAIM AS OUR INVENTION

1           1. A microprobe device for providing a signal to an external  
2 analyte meter indicating analyte presence in an analyte-containing  
3 bodily fluid of a subject, comprising:

4  
5           a silicon substrate having an X length dimension and a Y width  
6 dimension and a Z thickness dimension, and having an front side and a  
7 back side extending in the X and Y dimensions;

8  
9           a body portion formed by the silicon substrate;

10  
11           a microprobe portion formed by the silicon substrate, having a  
12 body end connected to the body portion, and having a penetration end  
13 extending away from the body portion in the X length dimension for  
14 penetrating into the subject to access the fluids; and

15  
16           biosensor integrated into the silicon substrate, for sensing  
17 analyte presence and for providing a signal in response to the  
18 analyte presence.

1           2. The device of Claim 1, wherein the microprobe portion is  
2 width tapered along the X length dimension, converging from a larger  
3 Y width dimension at the body end to a smaller Y width dimension at  
4 the penetration end.

1           3. The device of Claim 2, wherein the convergence of the  
2 microprobe taper is uniform establishing a constant change in the Y  
3 width dimension.

1           4. The device of Claim 2, wherein the convergence of the  
2 microprobe taper is nonuniform establishing a continuous change in  
3 the Y width dimension for optimizing stress distribution during  
4 penetration.

1           5. The device of Claim 1, wherein the Y width of the microprobe  
2 portion is about 200 micrometers at the body end and about 30



3 micrometers at the penetration end.

1 6. The device of Claim 1, wherein the X length of the  
2 microprobe portion is from about 0.5 mm to about 2.5 mm.

1 7. The device of Claim 1, wherein the microprobe portion has a  
2 penetration depth of from about 0.5 mm to about 2 mm.

1 8. The device of Claim 1, wherein the X length of the body  
2 portion is from about 0.3 mm to about 2 mm, and the Y width of the  
3 body portion is from about 0.3 mm to about 2 mm.

1 9. The device of Claim 1, wherein the Y width dimension of the  
2 microprobe portion terminates in a chisel shaped point at the  
3 penetration end.

1 10. The device of Claim 1, wherein the Y width dimension of the  
2 microprobe portion terminates in a symmetrically shaped point at the  
3 penetration end.

1 11. The device of Claim 1, further comprising a silicon  
2 microfillet portion at the connection between the body end of the  
3 microprobe portion and the body portion.

1 12. The device of Claim 1, further comprising signal interface  
2 structure integrated into the silicon substrate on the body portion  
3 thereof for interfacing with the analyte meter; and signal carrier  
4 integrated into the silicon substrate between biosensor and interface  
5 structure for carrying the signal.

1           13. The device of Claim 12, wherein the biosensor is an  
2 electrobiosensor, the signal is carried by electrical energy, the  
3 signal carrier is a pair of electrically conductive leads, and the  
4 interface structure is a pair of electrically conductive contacts.

1           14. The device of Claim 13, wherein the biosensor is an  
2 electrochemical biosensor responsive to the analyte presence by  
3 altering the electrical energy of the signal.

1           15. The device of Claim 14, wherein the alteration in the  
2 electrical energy of the signal is proportional to the concentration  
3 of the analyte presence.

1           16. The device of Claim 13, wherein the biosensor is an  
2 oscillating electrogravimetric biosensor responsive to the analyte  
3 presence by altering oscillation frequency.

1           17. The device of Claim 16, wherein the alteration in the  
2 oscillation frequency indicates the concentration of the analyte  
3 presence.

1           18. The device of Claim 13, further comprising an electrically  
2 insulative layer on the silicon substrate.

1           19. The device of Claim 18, wherein the insulative layer is a  
2 silicon oxide film.

1           20. The device of Claim 18, wherein the biosensor is deposited  
2 on the insulative layer.

1           21. The device of Claim 18, wherein the conductive leads and  
2 the conductive contacts are conductive metal deposited on the  
3 insulative layer.

1           22. The device of Claim 18, wherein the conductive leads and  
2           conductive contacts are conductive carbon deposited on the insulative  
3           layer.

1           23. The device of Claim 18, wherein the conductive leads and  
2           conductive contacts are doped silicon.

1           24. The device of Claim 18, wherein the silicon substrate is  
2           sufficiently doped to form one of the pair of conductive leads and  
3           one of the pair of conductive contacts.

1           25. The device of Claim 1, wherein the biosensor is an optical  
2           biosensor, the signal is alterations in photon energy, the signal  
3           carrier is an optrode; and the interface structure is an optical  
4           coupler.

1           26. The device of Claim 1, wherein the biosensor is positioned  
2           on the microprobe portion sufficiently distant from the body end to  
3           pass into the subject during penetration.

1           27. The device of Claim 1, wherein the biosensor is positioned  
2           on the microprobe portion near the penetration end.

1           28. The device of Claim 1, wherein the biosensor is on the  
2           microprobe portion near the body end or on the body portion.

1           29. The device of Claim 28, further comprising an open fluid  
2           channel formed in the microprobe portion between the penetration end  
3           and the biosensor for transporting analyte fluid to the biosensor by  
4           capillary action.

1           30. The device of Claim 29, wherein open fluid channel is a V-  
2           groove etched in the silicon of the microprobe portion.

1           31. The device of Claim 1, wherein the surface of the side of

2 the silicon substrate is planar, and the biosensor is deposited onto  
3 the planar surface.

1 32. The device of Claim 1, wherein the silicon substrate has a  
2 cavity extending into the silicon substrate in the Z thickness  
3 dimension, and the biosensor is deposited onto the silicon within the  
4 cavity.

1 33. The device of Claim 1, wherein the silicon substrate has a  
2 hole extending therethrough in the Z thickness dimension, and the  
3 biosensor is deposited onto the silicon within the hole.

1 34. The device of Claim 1, further comprising multiple  
2 biosensors integrated into either or both sides of the silicon  
3 substrate.

1 35. The device of Claim 34, wherein each of the multiple  
2 biosensors senses the presence of a different analyte.

1 36. The device of Claim 34, wherein each of the multiple  
2 biosensors is positioned at a different location along the X  
3 dimension of the microprobe to sense analyte presence at a different  
4 penetration depth.

1 37. The device of Claim 1, wherein the silicon substrate is  
2 formed of single crystal silicon.

1           38. An analyte monitoring assembly for emplacement on a subject  
2 which provides a transmitted signal to an external analyte meter  
3 indicating analyte presence in an analyte-containing fluid of the  
4 subject, comprising:

5  
6           a base member having an in vivo face disposed toward the  
7 subject when emplaced;

8  
9           a silicon substrate member mounted on the base member having an  
10 X length dimension generally normal to the in vivo face of the base  
11 member;

12  
13           a body portion formed by the silicon substrate member;

14  
15           a signal transmitter on the body portion for providing the  
16 transmitted signal;

17  
18           a microprobe portion formed by the silicon substrate member on  
19 the in vivo face of the base member, having a body end connected to  
20 the body portion, and having a penetration end extending away from  
21 the body portion in the X length dimension for penetrating into the  
22 subject to access the analyte-containing fluid;

23  
24           biosensor on the silicon substrate member for sensing analyte  
25 presence and for providing a sensed signal in response to the analyte  
26 presence; and

27  
28           signal carrier deposited on the silicon substrate member  
29 between biosensor and transmitter for carrying the sensed signal to  
30 the transmitter.

1           39. The device of Claim 38, wherein the in vivo face of the  
2 base member has a stabilizing surface for engaging the subject to  
3 maintain the penetration orientation of the microprobe portion.

1           40. The device of Claim 39, further comprising an adhesive on  
2 the stabilizing surface for retaining the assembly in place during  
3 emplacement.

1           41. The device of Claim 39, wherein the stabilizing surface  
2 limits the penetration of the microprobe portion into the subject.

1           42. The device of Claim 38, further comprising an analog to  
2 digital converter for converting the sensed signal from the biosensor  
3 into a digital transmitted signal.

1           43. The device of Claim 38, further comprising a power source  
2 on the body portion for activating the signal transmitter.

1           44. The device of Claim 38, wherein the signal transmitter and  
2 the power source are deposited into the silicon forming the body  
3 portion of the silicon substrate.

1           45. The device of Claim 38, further comprising a cover member  
2 over the body portion of the substrate and engaging the base member  
3 for sealing the assembly.

1           46. The device of Claim 38, wherein the monitoring assembly is  
2 emplaced for a single transmission.

1           47. The device of Claim 38, wherein the monitoring assembly is  
2 emplaced for continuous transmission.

+

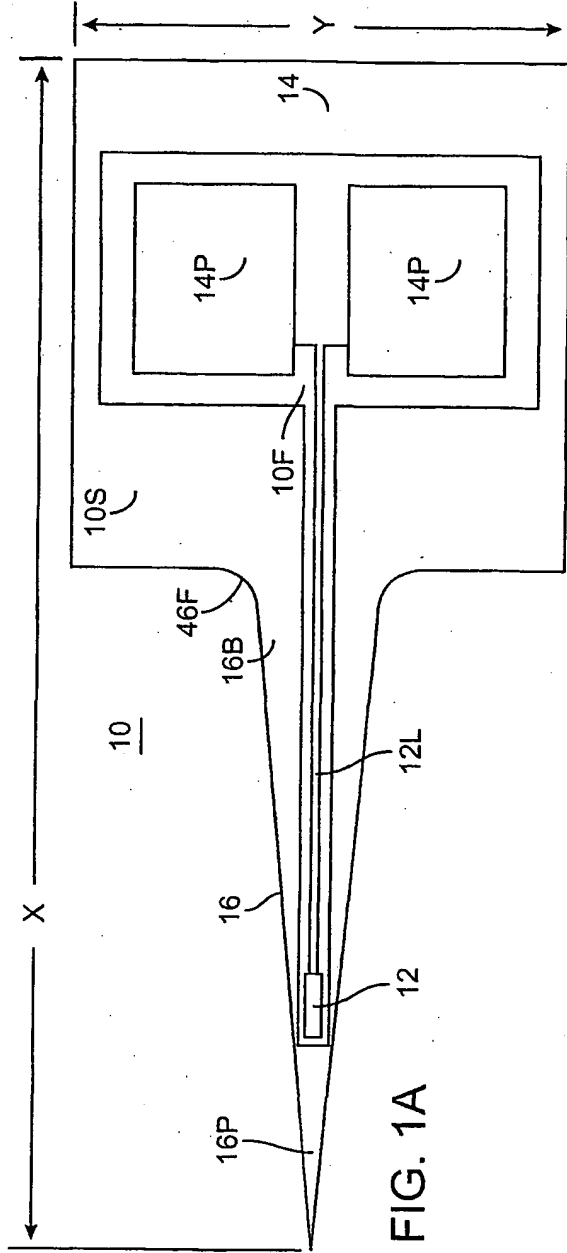


FIG. 1A

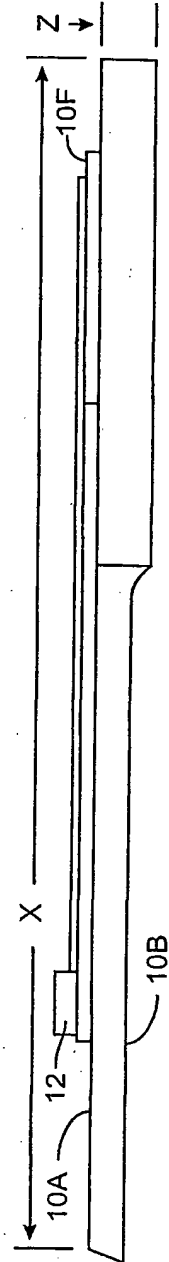


FIG. 1B

+

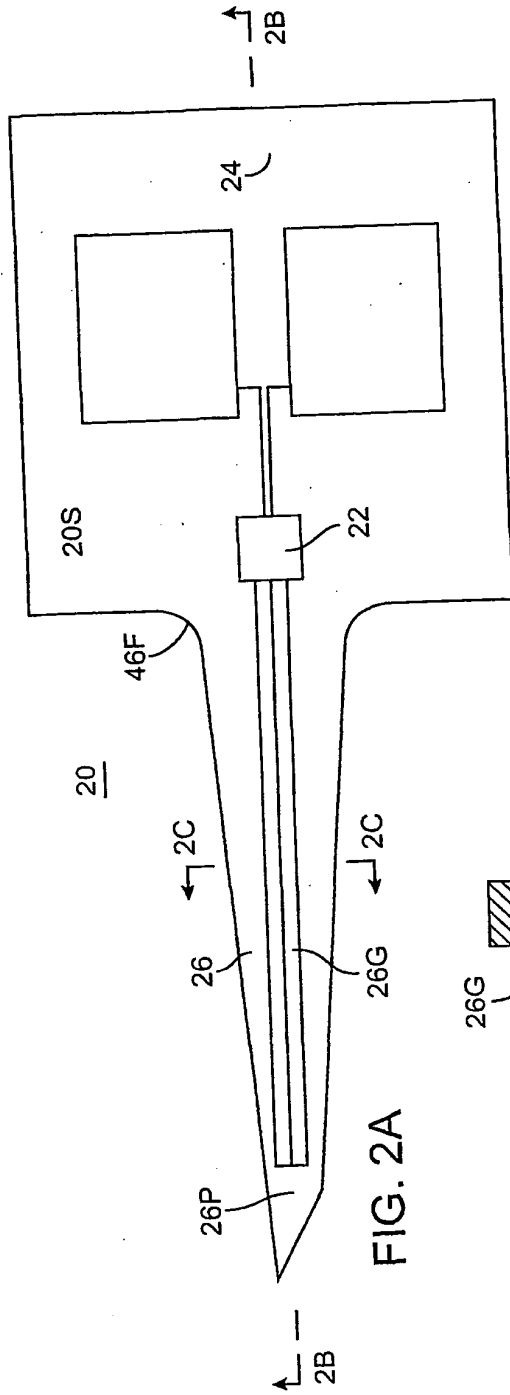


FIG. 2A

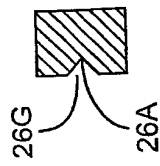


FIG. 2C

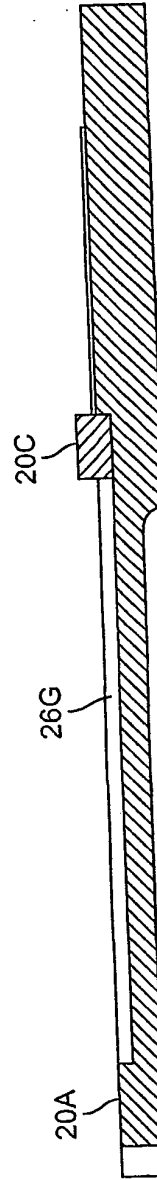


FIG. 2B

f



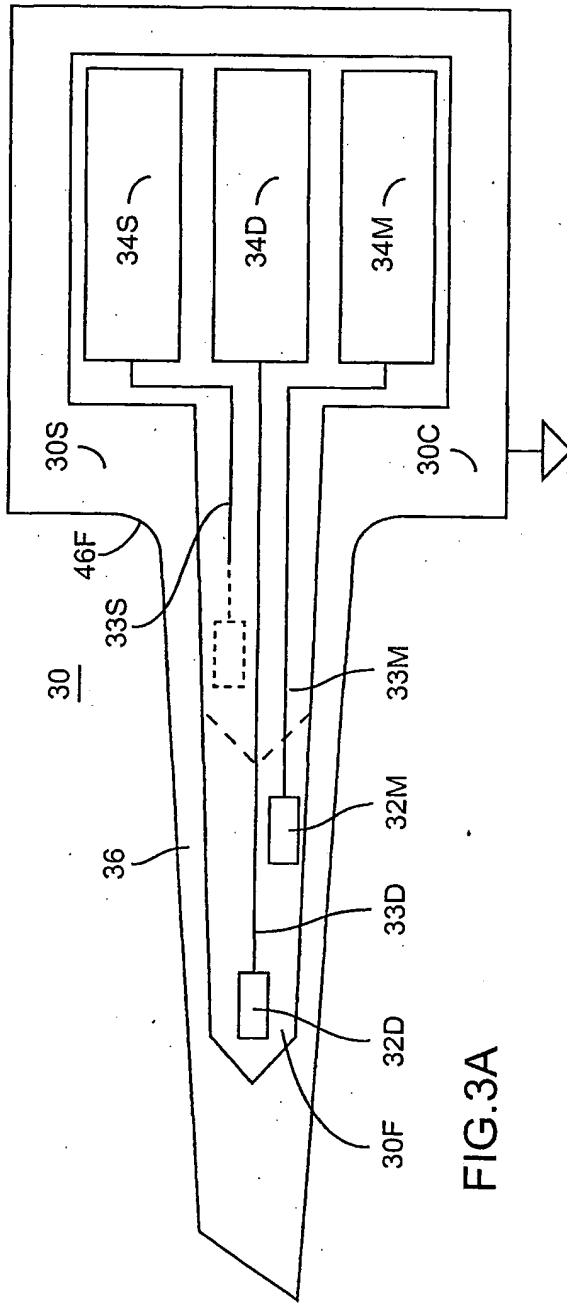


FIG. 3A

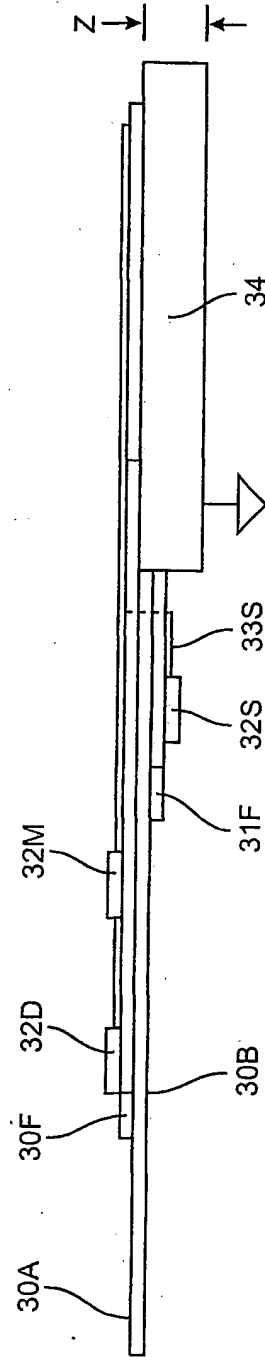


FIG. 3B

+

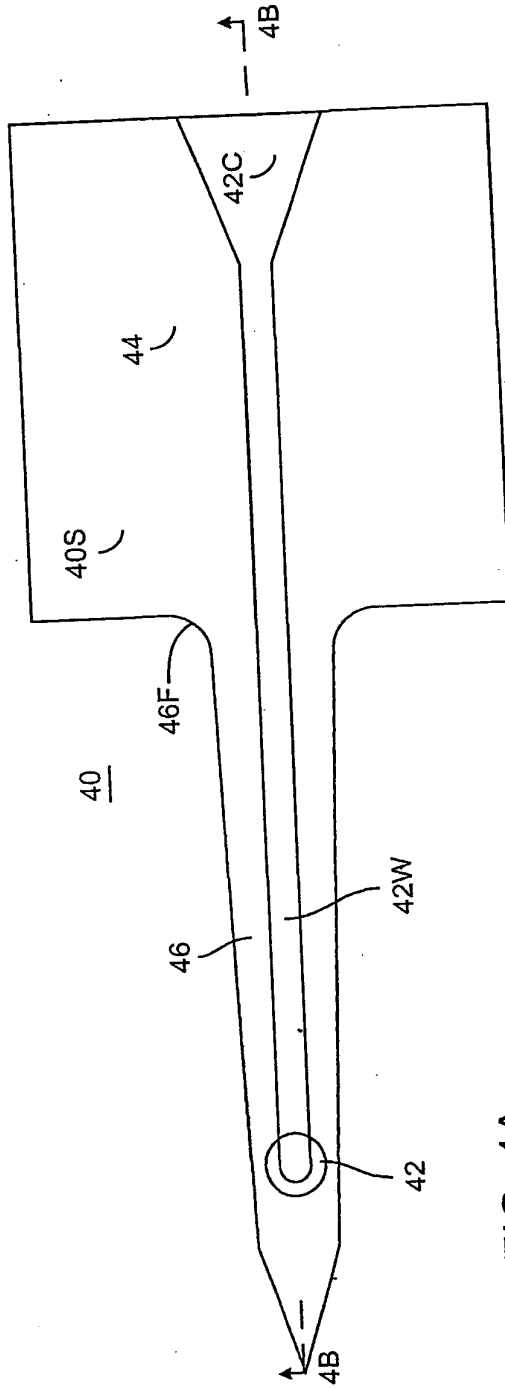


FIG. 4A

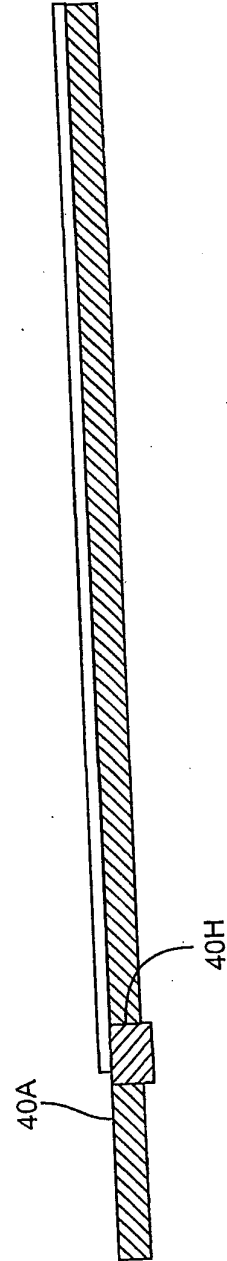


FIG. 4B

+

+

5 / 5

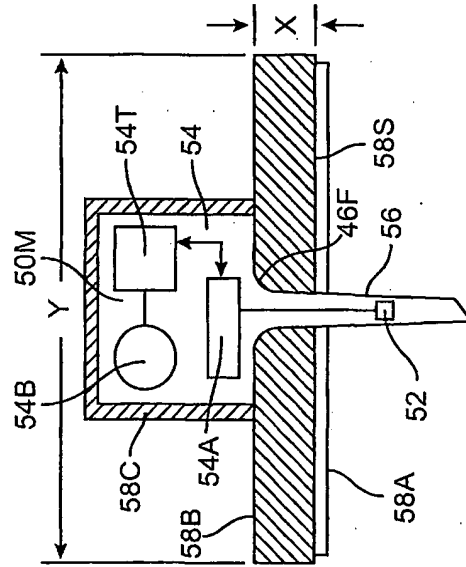


FIG. 5B

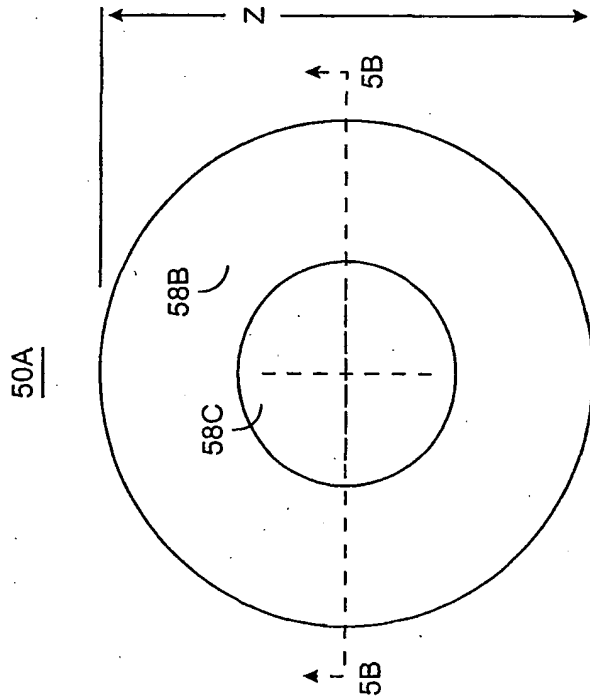


FIG. 5A

**BLANK PAGE**